

LP Morgan Commercial Lift user manual



LP Morgan Commercial Lift Instructions

Table of contents

Electrical Connections	3	Adjusting Show Position (Up to Standard Position)	7
Operation	3	Adjusting Commercial Lift 'Show Position' past standard position (46cm)	8 - 9
Installing Projector	4		
Typical Installation Details	5 - 6		



CAUTION:

- Read instructions completely before proceeding.
- Test lift prior to installation.
- Follow instructions carefully. Installation contrary to instructions voids warranty.
- Do not obstruct operation of Commercial Lift with fingers or any object. Serious injury or damage could result.
- Scissor Lift is designed to accommodate ceiling suspended equipment. Equipment should not be allowed to rest on optional ceiling closure during operation. (Refer to section titled 'Installing Projector').
- Entire bottom of the unit must be unobstructed to permit proper operation. Sufficient clearance must be allowed below projector or optional ceiling closure.
- Unit must be installed level, (please use a spirit level).
- Unit operates on 220V, 50 Hz. AC.

Note: Unit has been thoroughly inspected and tested at factory and found to be operating properly prior to shipment.

Information in this document is subject to change without notice.

© Herma Technologies. All rights reserved.

This document is protected against unauthorised copying electronic or otherwise.

Trademarks used in this text: Herma, the Herma Logo, Galleria, LP Morgan and LP Morgan logo are registered trademarks of Herma Technologies.

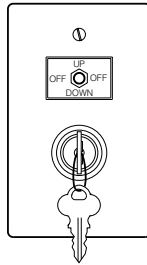
Other trademarks and trade names used in this document remain the property of the relevant owners.

October 2011 Version 1

Electrical Connections

Unit operates on 220V AC, 50 Hz. Removing the top cover of the unit and opening the electrical box exposes terminals for field connections. Unit is shipped with internal wiring complete. Wire to connect unit to power supply should be furnished by installer. Connections should be made in accordance with wiring diagram, and wiring should comply with national and local electrical codes. All operating switches should be 'off' before power is connected.

Scissor Lift should be operated and checked prior to installing projector and/or optional ceiling closure. Standard switch shown below comes with 22 meters of cable and should be plugged in to box on front of top pan of lift to control lift.



Operation

When unit is first operated, be cautious! If unit fails to operate when toggle switch is flipped 'down', return switch to 'off' and recheck electrical connections before proceeding. Cycle unit down and up several times to confirm satisfactory operation.

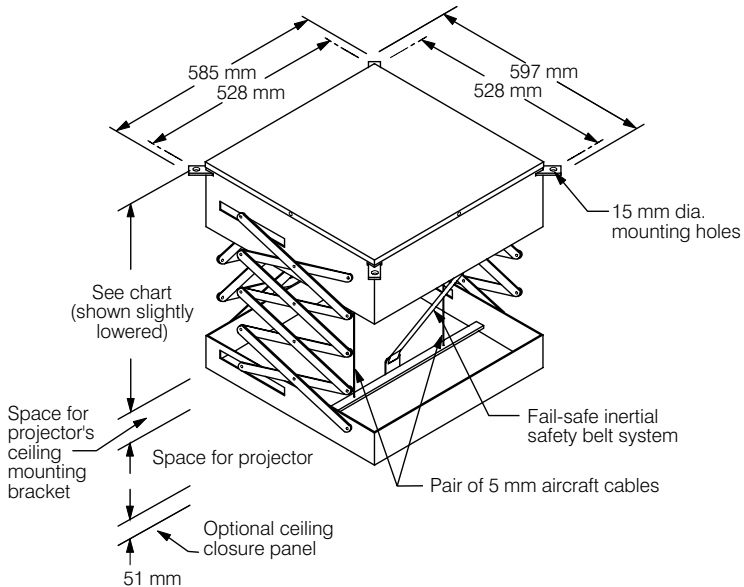
Standard Single Station Control (CE Approved) - One, 12V toggle switch: moving 3-position toggle switch to 'down' position will start lift down. Moving toggle switch to 'up' will start lift up. When lift is in 'show' position, travel will automatically be stopped by factory set limit switches. Whenever switch is placed in centre 'off' position, operation will stop. One, 12V key switch will lower lift from 'show' to 'service' position.

Installing Projector

The Scissor Lift has a grounded 220V AC, 50Hz power cord for projector power supply. The power cord is laced down the back scissor and is 'hot' at all times. Control cables should be laced through our Cable Management System. Make sure to use flexible cables, and to allow enough cable at each turn so cables do not stretch or kink. This will ensure that cords do not become tangled and damaged during Scissor Lift operation.

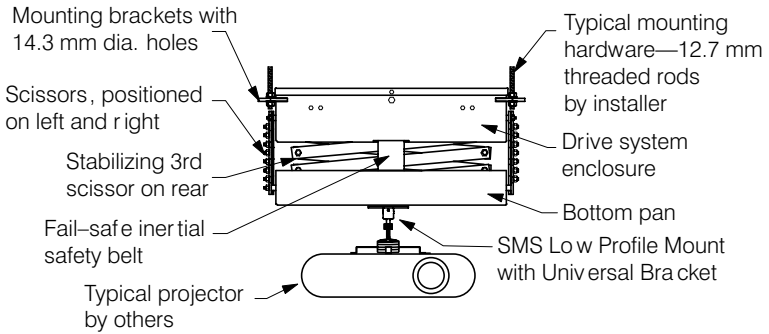
Unit and projection system should be operated, checked and adjusted as necessary at this time.

WARNING: Keep fingers and other objects away from automatic ceiling closure and scissor mechanisms when unit is operating. Serious injury or damage could result.

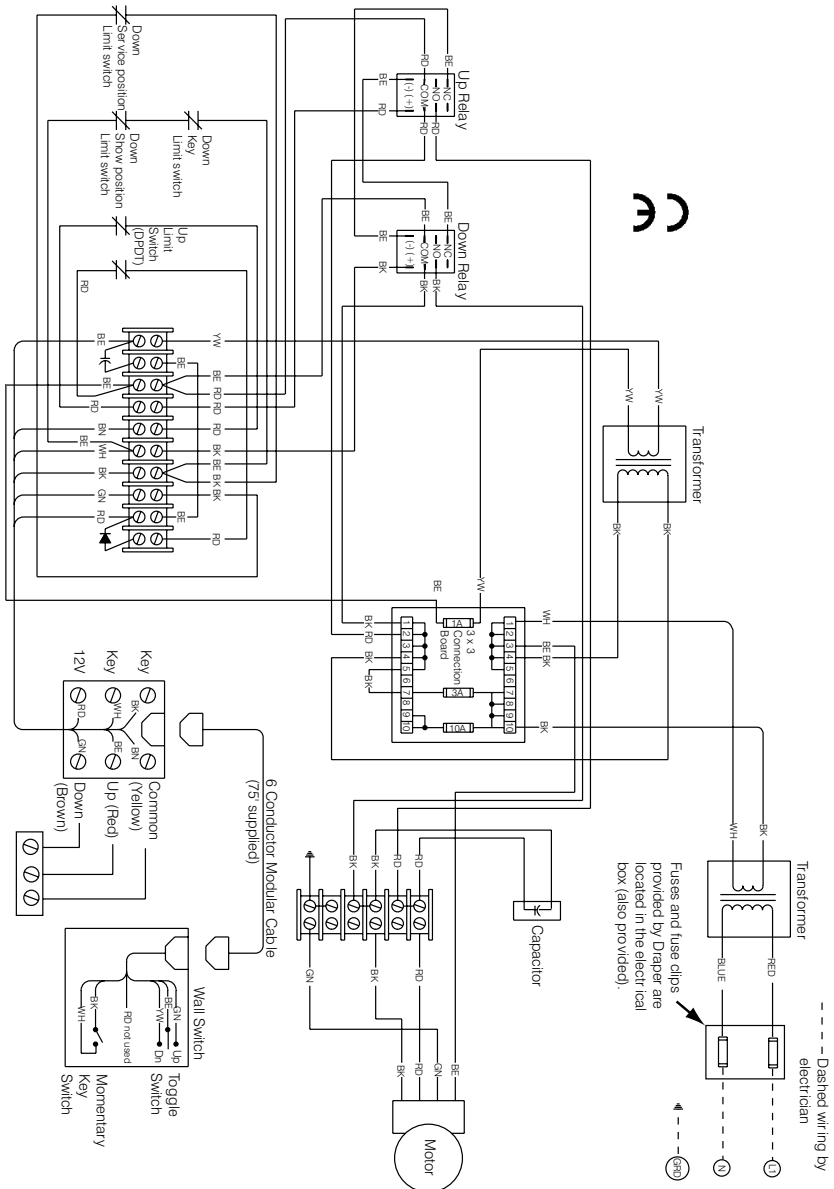


Model	Closed Height	Extended Height
Commercial Lift	35mm	3000mm

Typical Installation Details

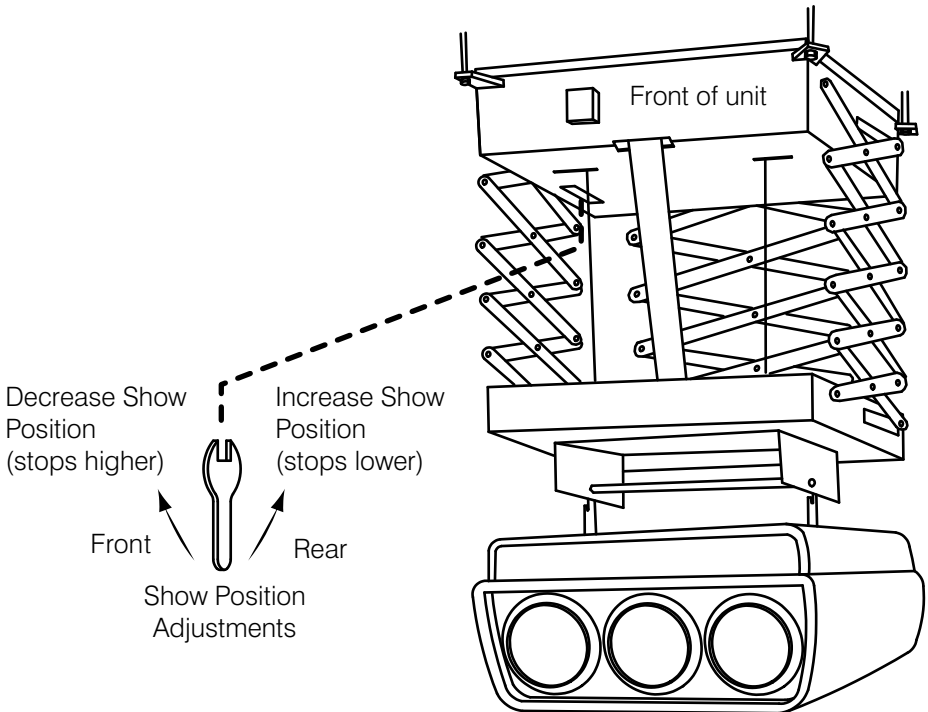


Typical Installation Details



Adjusting Show Position (Up to Standard Position)

1. Find the empty slot in the bottom of the top pan of lift (the only empty slot).
2. Use the open-end wrench (provided).
3. Find the threaded coupling (long nut) just inside the top pan (through the slot).
4. Push wrench toward rear of unit to lower.
5. Pull wrench toward front of unit to raise.



Adjusting Commercial Lift 'Show Position' past standard position (46cm)

1. If the desired show position is beyond the standard position (46cm) but not more than half the service position, proceed to step 7.
2. If the desired show position is over half the service position, proceed with the following steps.
3. Remove the top pan cover of the Commercial Lift.
4. Locate micro switches #1 and #2 that are wired in series on the micro switch assembly (Figure 1).
5. Disconnect the yellow wire from micro switch #1 from the red wire from micro switch #2. Disconnect the black wire from micro switch #1 from the green wire.
6. Connect the green wire to the red wire from micro switch #2 (Figure 2).
7. At this point you can adjust the micro switch assembly, with the supplied wrench, through the slot in the bottom of the top pan(see above drawing).
8. After you have reached the desired show position, raise and lower the unit several times in order to verify show position.

Adjusting Commercial Lift 'Show Position' past standard position (46cm)

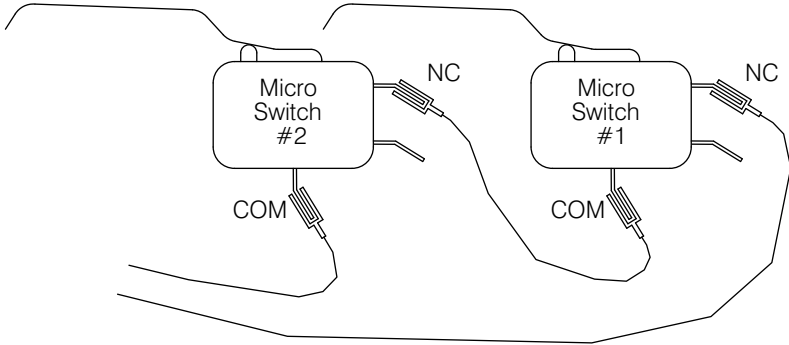


Figure 1

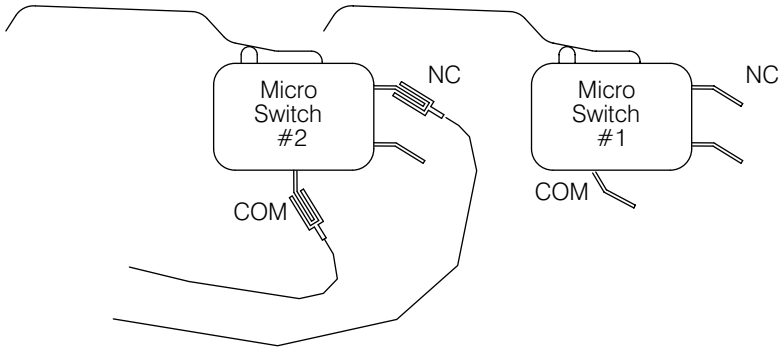


Figure 2

For more information on our range of products,
please visit www.lpmorgan.com.au, or contact
your local LP Morgan Retailer.

Factory 4a, 6 Albert Street Preston Vic 3072

Phone: +61 3 9480 6233 **Fax:** +61 3 9480 6533

Email: info@herma.com.au www.lpmorgan.com.au

October 2011 Version 1

